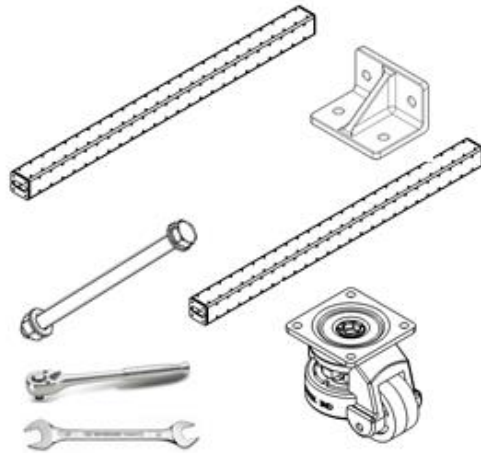


Product Information

Modular Frame Kit AMFK 5.0



Product introduction

Amsler MFK 5.0 is designed for Zwick EZ series Electro-mechanical actuator (EZ001 /EZ002 /EZ005). The maximum testing force is 5kN. It's a diversified application with the use of Zwick controller testControl and testXpert® software.

Due to its modular design, testers can build different forms of frame, such as I type, C type, portal type and cage type, and it also can be applied to other brands' actuator system.

Application range

This frame having high rigidity and flexibility, mainly applies to dynamic fatigue testing.

- Materials, components, semi-finished products and finished products
- The process of manufacture and assembling technology (e.g. automatic assembly, mounting)
- Cyclic tests with large strokes
- conveyable and removable tests in testing inspection institute and research institute

Advantages and features

- Equipped with various specifications of beams to meet the tests for different sizes of specimens
- Flexible to install actuator: front, rear and trunnion position is all possible.
- Compact structure, little space occupation
- Put the kit parts into warehouse when not needed-- space saving
- Fix to T-slot or use lockable casters. Single caster can carry up to 250 kg
- Operate static, dynamic and fatigue test easily
- 1~2 persons can assemble and disassemble nearly all the frame
- Excellent performance and reasonable price
- Few components can test many types of specimen
- Seldom or never need to maintain

Product Information

Modular Frame Kit AMFK 5.0

Type	Value
Fmax	5kN
Temperature range	-15°C to +80 °C

Optional accessories	Description	Order No.
Footing junction plate	Junction plate between frame and T-slot plate Weight: 6Kg	ZTT000019
Pressing plate	Connection between footing junction plate and T-slot plate Weight: 0.53 Kg	ZTT000018
30° junction plate	Connection between beams (e.g. ribs) Weight:1.4Kg	ZTT000020
45° junction plate	Connection between beams (e.g. ribs) Weight:1.4Kg	ZTT000021
90° junction plate	Connection between beams (e.g. ribs) Weight:1.4Kg	ZTT000022
180° junction plate	Connection between beams Weight :1.4Kg	ZTT000023
Beam mobile component	Adjust beam position, used in pairs Weight :2.5kg	ZTT000024
Rear fixed fixture	Install actuator rear part Weight :2 Kg	ZTT000026
Rear mobile fixture	Install actuator rear part, convenient to adjust position Weight :2.4 Kg	ZTT000025
Front install fixture	Install actuator front part, convenient to adjust position Weight :9.2 Kg	ZTT000027
Trunnion type fixture	Install actuator middle part, adjust acting force angle of actuator Weight :13.2 Kg	ZTT000028
Positioning module	Convenient to adjust fixed position of actuator, fix actuator at the rear, front and trunnion -type Effective stroke:260mm Weight : 32.5 Kg	ZTT000029
Positioning module front fixture	Fix the front of actuator to positioning module Weight :5 Kg	ZTT000031
Positioning module Rear fixture	Fix the rear of actuator to positioning module Weight :2.6 Kg	ZTT000030
Specimen fixed plate	Fix specimen Size: 540x720x20mm Material: aluminum alloy, steel screw nut inside. Weight :20.5 Kg	ZTT000032
Control console	Size (L*W*H): 1000*650*800	ZTT000033
Leveling caster	Adjust frame horizontal, reliable locking, mobility Weight :0.8Kg	ZTT000034